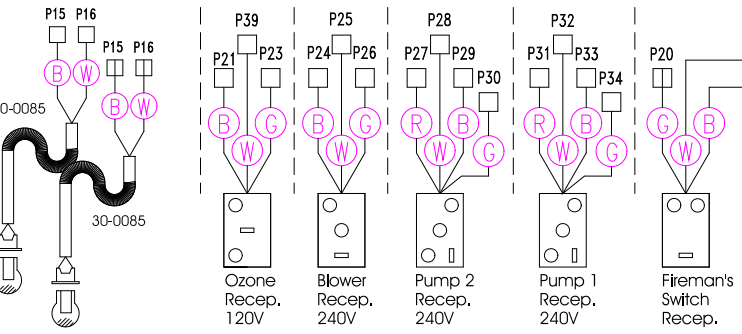
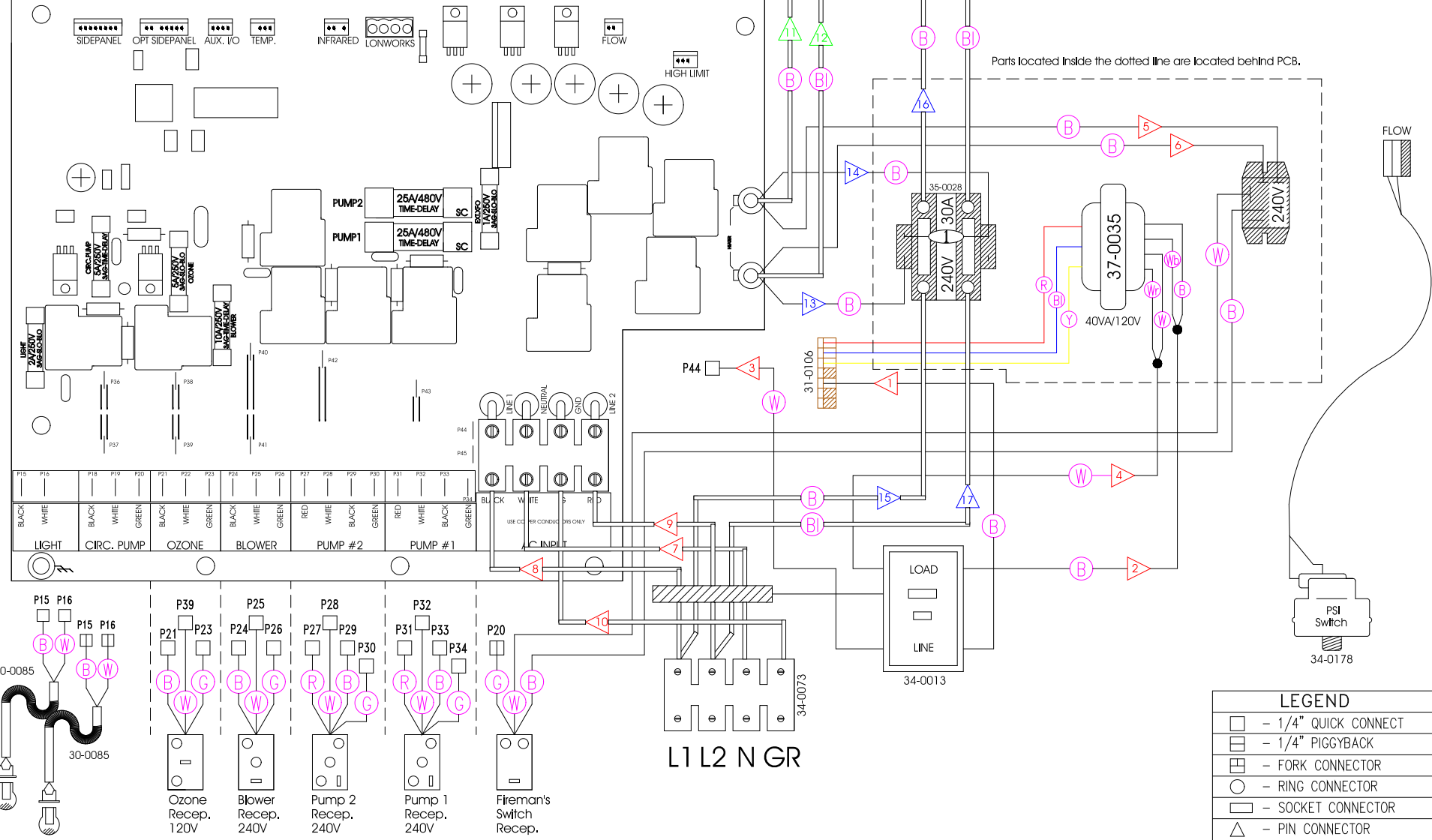


34-0203E
Temp Sensor, 50 ft

33-0025-R5

Parts located inside the dotted line are located behind PCB.



LEGEND	
	- 1/4" QUICK CONNECT
	- 1/4" PIGGYBACK
	- FORK CONNECTOR
	- RING CONNECTOR
	- SOCKET CONNECTOR
	- PIN CONNECTOR

HYDROQUIP
13345 Estelle St.
Corona, CA 92879
Phone: (909) 273-7575 Fax: (800) 332-7190

Manufacture Notes: on Contactor Indicates capacitor.

SHADED COMPONENTS ARE 240V

Dwg. No.: D222AH-HKLPQY-J	Drawn By: BH	Rev. 5	Wire Color Code B - Black G - Green Br - Brown Bl - Blue R - Red V - Violet O - Orange W - White Y - Yellow Gr - Gray
Reviewed By:	Date: 12.06.01	Diagram No.: 5128	